

## TurfMaker TAILGATE MULCHER



**OPERATORS MANUAL AND PARTS LIST**

# FOREWORD

Congratulations on your purchase of a TurfMaker Tailgate Mulcher. You will find this to be one of the most versatile and work-saving pieces of equipment you will own.

Once you adjust your habits to a Tailgate Mulcher, you will wonder how you ever got along without one. To get the best performance from this product, operate and maintain it according to the instructions in this manual.

TurfMaker also wants to stress the importance of safety. You and anyone else using or maintaining this product are strongly urged to read this manual, especially all the safety instructions.



**DANGER** and **CAUTION**, used with this symbol, highlight safety messages. Always read and understand these messages because they relate to personal injury and your safety.

**IMPORTANT** messages refer to mechanical information and the possibility of damaging a part or parts of the product.

**NOTE** identifies general information worthy of special attention.

If you need help or have questions about your new TurfMaker product, contact your local Authorized TurfMaker Dealer.

Your TurfMaker Dealer has a complete supply of replacement parts. Factory parts shipments are sent the same day via your choice of fastest method. Many parts are common everyday parts and available from local sources. You should contact your Dealer or Factory to verify compatibility before using alternate parts.

## MODEL AND SERIAL NUMBERS

A serial number is used to identify your new TurfMaker Tailgate Mulcher. This number is stamped into the frame and should always be referred to when consulting dealer or factory concerning service, parts, or other information you may require.

Engine identification numbers are located on engine shrouding and indicate model, specification or type number and serial number of engine. For your convenience and ready reference, enter Tailgate Mulcher and engine numbers below.

MACHINE SERIAL NO. \_\_\_\_\_

ENGINE MODEL \_\_\_\_\_

ENGINE SERIAL NO. \_\_\_\_\_

DEALER MACHINE PURCHASED FROM:

\_\_\_\_\_  
\_\_\_\_\_  
\_\_\_\_\_

PHONE: \_\_\_\_\_

# LIMITED WARRANTY

To the original purchasers, TurfMaker Corp. will guarantee the Tailgate Mulcher to be free from defects in material or workmanship, or both for a period of one year from the date of purchase. This warranty covers all parts, excluding labor charges, manufactured by TurfMaker Corp. The engine and battery are covered by their respective manufacturers' warranties. Abuse of the equipment and/or neglect of proper maintenance will void any and all warranty. TurfMaker Corp. will not be responsible for time lost because of repairs. TurfMaker Corp. cannot be held responsible for repairs, replacement parts, personal injuries and property claims if the Tailgate Mulcher is used in any way other than intended by the manufacturer, nor will TurfMaker Corp. be responsible if foreign objects are fed into the equipment, nor if the equipment is operated in an unsafe condition or manner. There is no other expressed warranty. Implied warranties, including those of merchantability and fitness for a particular purpose are limited to one year.

## SPECIFICATIONS

Length	55"
Operating Length	85"
Width	40"
Height	59"
Weight	560 lbs.
Power	22 hp Twin Cylinder
Blower	16" High Velocity
Beater Chamber	7 cu ft.
Beater Chains	4 Pair Hardened
Hose	50' x 6" Smooth Interior Wall

## SAFE OPERATING PRACTICES



This safety alert symbol means **CAUTION** or **DANGER** - "personal safety instruction". Read and understand the instruction because it concerns your safety. Failure to comply with the instructions may result in personal injury.

Improper use or maintenance of this machine can result in injury. To reduce the potential for injury, comply with the following safety instructions.

### BEFORE OPERATING

1. Read and understand the contents of this Operator's Manual and the Engine Operator's Manual before operating the product.
2. Become familiar with all controls. Replacement manuals are available by sending the complete Serial number to:  
TurfMaker Corp.  
4931 Grisham Dr.  
Rowlett, TX 75088  
800-527-2304

3. Obtain and wear safety glasses at all times while operating the machine.
4. Avoid wearing loose-fitting clothing.
5. The TurfMaker Tailgate Mulcher is equipped with safety and deflector shields. **DO NOT REMOVE THESE!** If removal of a shield is required to make repairs, reinstall all safety shields securely in their original positions before operating the machine.
6. Secure the Tailgate Mulcher to the transport vehicle in such a manner that the machine cannot shift, slide or fall. If you are planning to use the truck's tailgate, **consult the truck owners' manual for the weight capacity of the tailgate before loading the machine.** If you have the optional trailer model, hitch the trailer to the tow vehicle securely, attach the safety chains and the trailer's lights properly, and rotate the jack to it's traveling position.
7. Before starting the machine, check that all screws, nuts, bolts, and other fasteners are tightened down.

8. Do not allow children to operate the machine. Do not allow adults to operate the machine without proper instruction.

9. Fill fuel tank with gasoline before starting the engine. Avoid spilling gasoline. Gasoline is a flammable substance, handle with caution.

- A. Use an approved gasoline container.
- B. Do not fill tank while engine is hot or running.
- C. Do not fill gas tank while machine is indoors.
- D. Do not smoke while handling gasoline.
- E. If refueling the engine after it has been run, stop engine after it has been run, stop engine, disconnect spark plug wires and allow engine to cool before adding more fuel. Fill tank up to one inch (25 mm) from top of tank, not filler neck.
- F. Wipe up any spilled gasoline.

## WHILE OPERATING

1. Do not run engine in a confined area without adequate ventilation. Exhaust fumes are hazardous and could possibly be deadly.

2. Do not tamper with engine governor settings; the governor controls the maximum safe operating speed and protects the engine from damage caused by engine overspeed.

3. Do not touch engine or muffler while engine is running or soon after it is stopped. These areas could be hot enough to cause serious burns.

 **4. DO NOT OPERATE MACHINE WITHOUT SAFETY GUARDS PROPERLY ATTACHED.**

## MAINTENANCE

1. Shut engine off, disconnect spark plug wires from the spark plugs and remove battery ground cable to prevent accidental starting of engine when servicing, adjusting or storing machine.

2. Perform only those maintenance instructions described in this manual or engine operator's manual. If major repairs are needed or assistance is desired, contact an Authorized TurfMaker Service Dealer.

3. To reduce potential fire hazard, keep engine free of excess grease, straw, chaff and accumulations of dirt.

4. Be sure the machine is in a safe operating condition by keeping nuts, bolts, and screws tightened down.

5. Do not overspeed the engine by changing the governor setting. To be sure of safety and accuracy, have an authorized TurfMaker Service Dealer check maximum engine speed.

6. Engine must be shut off before checking oil or adding oil to crankcase.

7. To ensure optimum performance and safety, always purchase genuine TurfMaker replacement parts. Contact your Dealer or Manufacturer to verify compatibility of alternate parts.



**NEVER MAKE ALTERATIONS TO MACHINE OR CHANGE ORIGINAL DESIGN.**

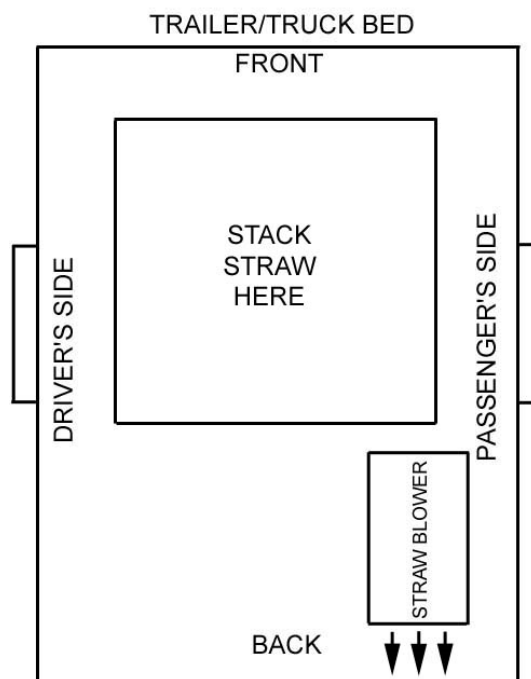
## PLACEMENT OF UNIT ON TRAILER OR TRUCK BED

1. Place skid mounted Tailgate Mulcher onto trailer or truck bed on the passenger side, towards the rear of the trailer/truck bed, so that the muffler and muffler extension are positioned away from where straw is placed. See image below



**2. DO NOT STACK OR PILE STRAW NEAR MUFFLER OR MUFFLER EXTENSION!**

Figure 1:



# OPERATION



## DANGER



Read this Operators Manual and Engine Operator's Manual completely before attempting to operate machine.

Do not run machine in an enclosed area. Excess build up of carbon monoxide can be extremely dangerous. Carbon monoxide is a colorless, odorless, tasteless, and poisonous gas.

Do not allow hands or any part of the body or clothing inside the beater chamber, or near any moving part. The machine can cause serious bodily injury.

Before inspecting or servicing any part of the machine, shut off power source, disconnect spark plug wires from spark plugs and make sure that all moving parts have come to a complete stop. Moving parts can seriously injure you.

Before feeding material into the machine, inspect for rocks, stones, glass, wood, etc. These objects could cause injury to you or damage the machine. Objects can fly out of the hose opening and cause serious bodily harm.

Never operate the TurfMaker Tailgate Mulcher without the hose or cannon installed.

1. Load Tailgate Mulcher onto transport vehicle and secure with chains or straps or secure trailer behind tow vehicle.

2. Fold down tray to its operating position. Make certain that the beater chamber is empty. Check that all nuts and bolts are securely fastened and all shields are in place.

3. Check engine oil and air filter.

4. Fill fuel tank with clean, fresh gasoline of the type recommended by the engine manufacturer.

5. Start engine and let it run at idle speed to warm up.

6. Adjust throttle to desired speed. Lay a bale of straw or hay onto the feed tray. Cut and remove the strings or ties and feed the straw into the beater chamber. Feed straw flake after flake, pausing between flakes. You will notice that the beater chamber will load up with separated straw fibers that roll around and around. This assures an even flow of mulch into the blower and a constant discharge at the hose end. With a little experience you will learn how fast to feed straw into the beater chamber to keep it loaded and not to overload it, and keep a steady stream of straw coming out of the hose. With dry straw you can feed flakes into the beater chamber at a rate of one bale every 30 seconds. Wet straw or hay will take a little more time. If the machine becomes clogged, shut off the engine and disconnect the spark plug wires from the spark plugs before clearing material.

For maximum performance, run the engine at full throttle. For close or small areas you may want to run the engine at lower speeds. Mulching rates will vary with engine speed.





## CAUTION



**Be sure discharge cannon is pointed in a safe direction before starting engine.**

# MAINTENANCE

 **DANGER** 

**DO NOT PERFORM ANY MAINTENANCE PROCEDURES UNLESS ENGINE IS TURNED OFF.** Stop engine, disconnect wires from spark plugs and disconnect battery ground cable before inspecting beater chains. Moving parts can cause serious bodily harm.

**Service engine as directed in the engine Operator's Manual.**

1. Keep engine cylinder and cylinder head fins clear of debris. Remove engine housing regularly and clean engine. If the fins become clogged, the engine will overheat and serious engine damage may occur.

2. Inspect beater chains and brackets for wear every 10 hours of operation.

3. Do not allow material to build up on parts in the beater chamber or the air inlet screen. (Fig. 3)

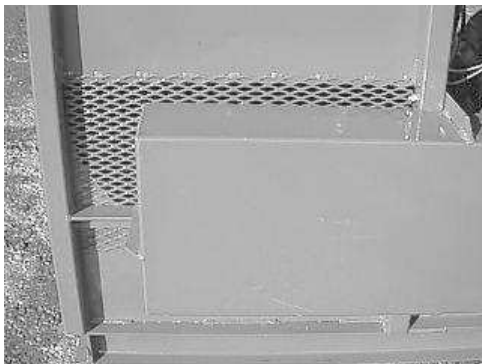
4. Grease main shaft bearings every 10 hours of operation. (Figs. 4 & 5)

## DRIVE BELT REPLACEMENT

Loosen the four carriage bolts on the engine mount. Ease tension on the drive belt by moving the engine mount bolts. (Fig. 6) Remove old belt and inspect pulleys for wear. Replace any worn parts and install new belt. Tighten engine mount bolts to adjust belt to 1/2" deflection between pulleys. Tighten down the four carriage bolts.

## STORAGE

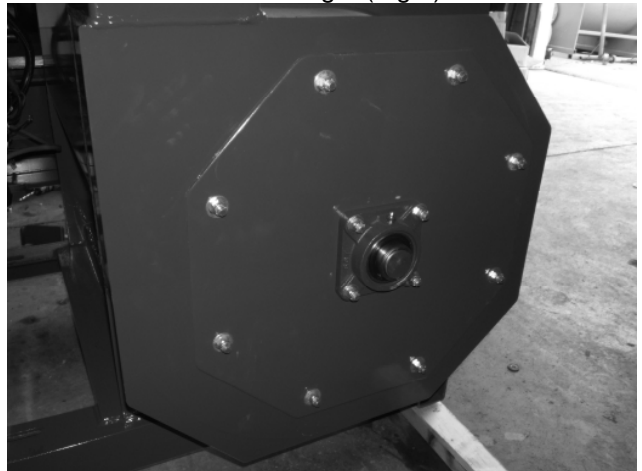
Clean feed tray and beater chamber to remove any debris. Wipe dirt and grease from frame. Repaint scratched areas. Check for wear and replace any parts necessary. Fold up feed tray. Store in a dry area out of direct sunlight.



Air Inlet Screen (Fig 3)



Grease Fitting 1 (Fig 4)



Grease Fitting 2 (Fig 5)



Drive Belt (Fig 6)

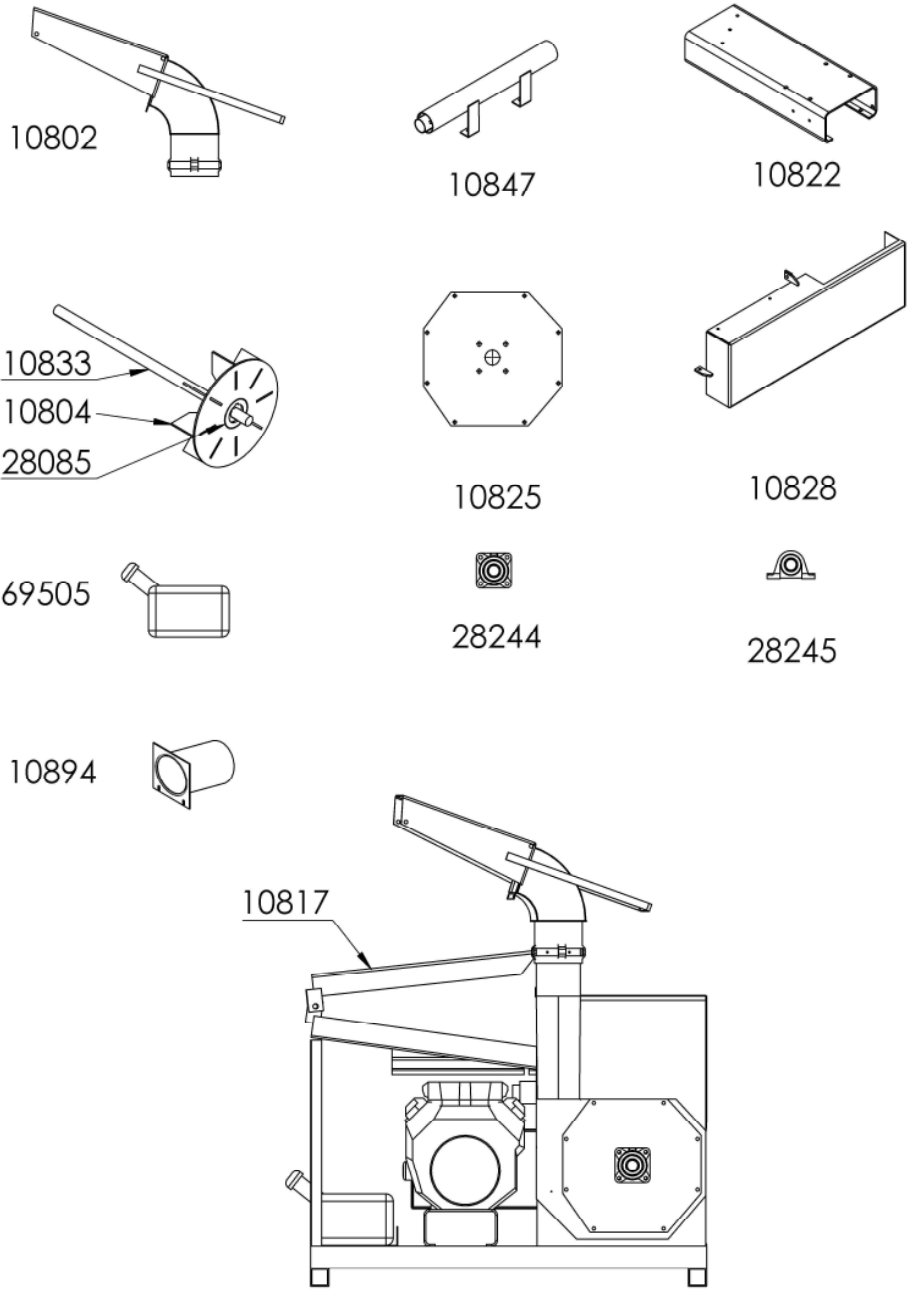
# TROUBLESHOOTING

<b>PROBLEM</b>	<b>POSSIBLE CAUSE(S)</b>	<b>CORRECTIVE ACTION</b>
Engine fails to start	<ol style="list-style-type: none"> <li>1. Fuel tank empty or stale fuel</li> <li>2. Spark plug wire disconnected</li> <li>3. Faulty spark plug</li> <li>4. Low oil</li> </ol>	<ol style="list-style-type: none"> <li>1. Fill tank with clean, fresh fuel</li> <li>2. Connect wire to spark plug</li> <li>3. Clean, adjust gap or replace</li> <li>4. Add oil</li> </ol>
Loss of power, operation erratic	<ol style="list-style-type: none"> <li>1. Spark plug wires loose</li> <li>2. Unit running on choke</li> <li>3. Blocked fuel line or stale fuel</li> <li>4. Water or dirt in fuel system.</li> <li>5. Carburetor out of adjustment.</li> <li>6. Dirty air cleaner.</li> </ol>	<ol style="list-style-type: none"> <li>1. Tighten spark plug wire</li> <li>2. Move choke cable to OFF position</li> <li>3. Clean fuel line, fill tank with clean fresh gasoline</li> <li>4. Disconnect fuel line at carburetor to drain tank. Refill with fresh gasoline.</li> <li>5. Adjust Carburetor.*</li> <li>6. Service air cleaner.*</li> </ol>
Engine overheats	<ol style="list-style-type: none"> <li>1. Carburetor not adjusted properly</li> <li>2. Engine oil level low.</li> <li>3. Air cooling fins clogged.</li> </ol>	<ol style="list-style-type: none"> <li>1. Adjust carburetor.*</li> <li>2. Fill crankcase with the proper oil.</li> <li>3. Clean engine shroud and screen.</li> </ol>
Too much vibration.	<ol style="list-style-type: none"> <li>1. Loose or worn parts.</li> <li>2. Fan blade bent or broken</li> <li>3. Beater chain (s) missing.</li> <li>4. Beater shaft bent.</li> </ol>	<ol style="list-style-type: none"> <li>1. Stop engine immediately. Tighten all bolts and nuts. Make all necessary repairs. If vibration continues, consult your Authorized TGMI Dealer for service.</li> <li>2. Replace fan.</li> <li>3. Replace chains in pairs.</li> <li>4. Replace shaft.</li> </ol>
Unit does not discharge material	<ol style="list-style-type: none"> <li>1. Discharge hose clogged.</li> <li>2. Foreign object lodged in hopper.</li> <li>3. Drive belt loose.</li> </ol>	<ol style="list-style-type: none"> <li>1. Stop engine immediately and disconnect spark plug wires from spark plugs. Clean discharge hose and inside chamber.</li> <li>2. Stop engine immediately and disconnect spark plug wires from spark plugs. Remove lodged object.</li> <li>3. Tighten drive belt.</li> </ol>

\* Refer to engine Operator's Manual supplied with this machine.

NOTE: For repairs beyond minor adjustments listed above, contact your nearest Authorized TurfMaker Dealer.

Figure 1





## Parts List

Part Number	Part Description	Amount Used
61020	Engine – Kohler 22 HP	1
10910	Bolt & Nut – Beater Brackets	8
10833	Shaft – Beater	1
28092	Key – Beater Shaft (not pictured)	1
28249	Bearing – Pillow Block	1
26012	Grease Pipe Extension	1
28248	Bearing – Flange	1
10911	Chain Replacement Kit (8 pcs)	1
29751	Decal Set – Tailgate Mulcher (not pictured)	1
10821	Lid – Hopper	1
10822	Engine Mount	1
10804	Fan Wheel – Blower	1
28085	Bushing, Fan Housing	1
10825	Fan Housing Cover	1
29750	Decal Set – Safety Decals (not pictured)	3
29362	Emergency Stop Switch	1
29363	Emergency Stop Label	1
27200	Hose – Extension	Option
69510	Fuel Tank	1
69106	Cable – Battery – Positive 18”	1
69107	Cable – Battery – Negative 15”	1
69124	Fuel Line, 49” (not pictured)	1
69102	Battery – 12 Volt	1
69105	Battery Box	1
69205	Cable – Throttle Control	1
28022	Sheave – Drive	2
28070	Bushing – Beater Shaft 1 7/16”	1
28058	Bushing – Honda Engine 1 1/8”	1
28324	Drive Belt	1
10817	Tray – Folding	1
10802	Steel Cannon Discharge	1
10914	Roller Bearings & Bolt Kit – Cannon	6
10858	Muffler Extension	1